

## 3x2 HDMI Matrix W/ extender

# HME0302A10

### Products Description

This 3x2 HDMI matrix routes three Ultra HD sources to one 4K Ultra HD HDMI outputs and one UTP extender output. The UTP extension supports 1080P@60Hz transmission up to 50 meters. Each source can be routed to any output, using the front-panel buttons or the IR Remote Control. With smart EDID management, make it compatible with most of the HDMI source and sink devices.

### Features

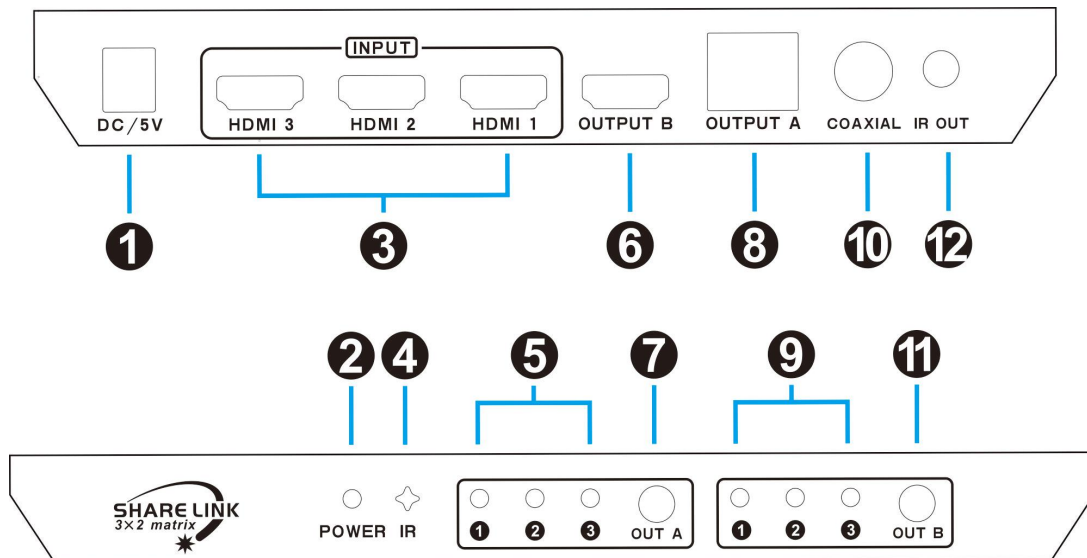
- Compliant with HDCP 1.3
- Max. resolution up to 3840\*2160@30Hz.
- UTP extender supports resolution up to 1080P@60Hz
- Each HDMI output can share same input or select standalone input
- Supports PCM, Dolby AC3, DTS5.1, DTS7.1 and DSD audio format
- Smart EDID management, make it compatible with most display devices
- Matrix status could be memorized after power down, automatically restore previous matrix status after next power on
- Easy control matrix via IR receiver, front keypad
- S/PDIF audio output via coaxial
- Supports DVI-D single link sources and displays with the use of HDMI-to-DVI adapters.

### Package Included

- 1 \* HDMI Matrix 3x2
- 1 \* Learnable Remote Control
- 1 \* HDMI Extender Receiver
- 1 \* IR Receiver Cable
- 1 \* IR Transmitter Cable
- 2 \* DC 5V Power Adapter
- 1 \* User Manual

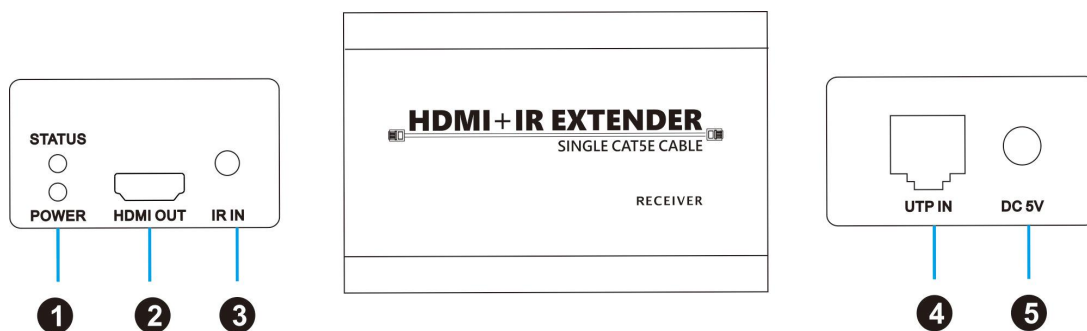
## Panel description

Matrix:



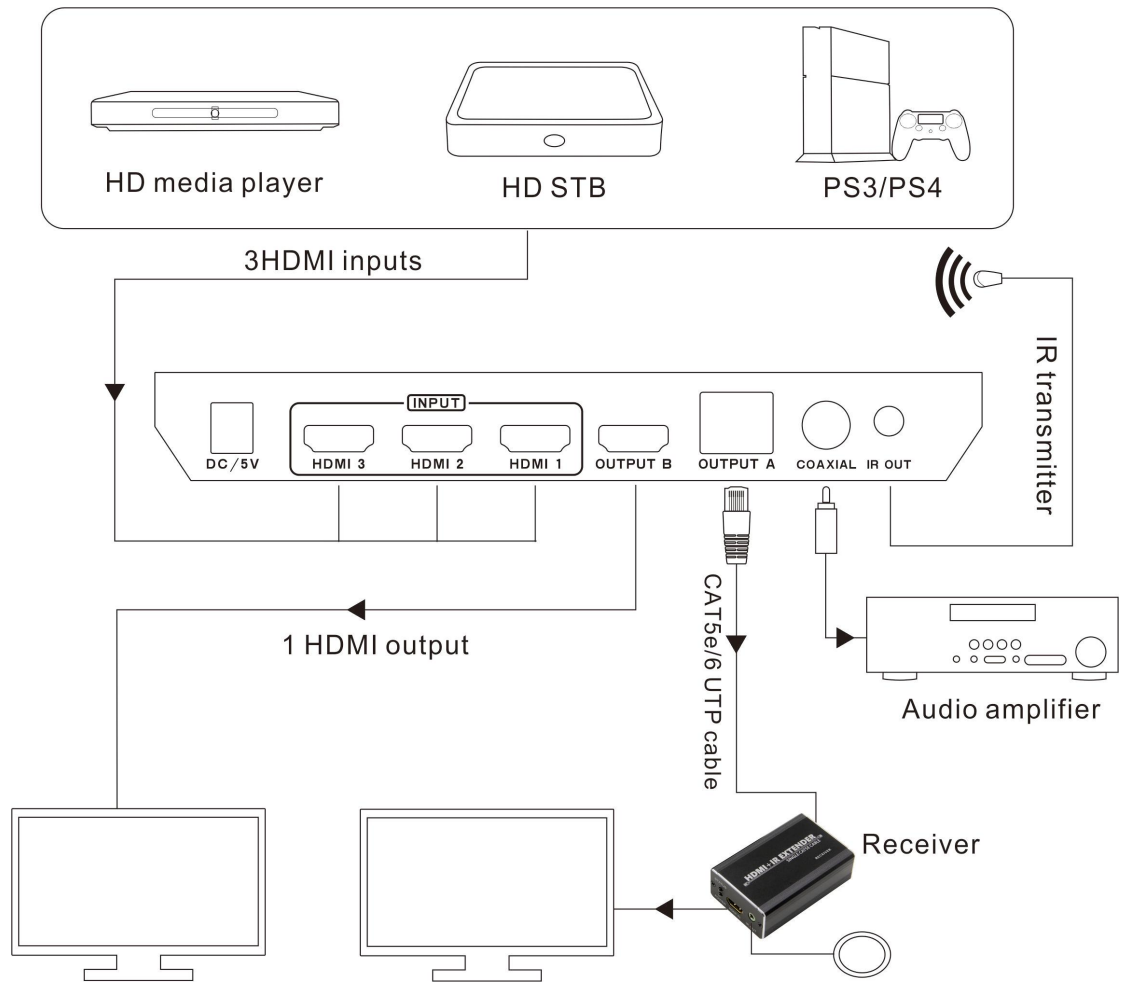
- |  |  |
|--|--|
| 1. DC 5V input                             | 7. Port A input selection button           |
| 2. Power indicator                         | 8. Port A UTP output                       |
| 3. HDMI input ports                        | 9. Input selection status of output port B |
| 4. IR receiver                             | 10. Coaxial output of port B audio         |
| 5. Input selection status of output port A | 11. Port B input selection button          |
| 6. Port B HDMI output                      | 12. IR transmitter port                    |

Extender:



1. Power and connection status LED
2. HDMI output
3. IR receiver port
4. UTP cable port
5. DC 5V input

### Connection diagram



## Specification

<b>HME0302A10</b>	<b>3x2 HDMI Matrix W/ extender</b>	
<b>Functionality</b>		
Port selection	Front panel buttons	Yes
	Console commands	No
	IR remote control	Yes
OSD	No	
Smart EDID	Yes	
<b>Technical</b>		
Resolution	Up to 3840x2160@30Hz/ 1080P@60Hz 3D	
HDCP version	1.3	
Data rate	10.2Gbps	
Input	3*HDMI Type A, 24/26 AWG HDMI cable up to 10M (1080P@60Hz )	
Output	1*HDMI Type A, 24/26 AWG HDMI cable up to 20M (1080P@60Hz ) 1*RJ45, CAT5E/6 UTP cable up to 50M (1080P@60Hz) 1*S/PDIF (Coaxial)	
ESD protection	Human body model - $\pm 8$ kV (Air-gap discharge)	
<b>Mechanical</b>		
Chasing material	Aluminum Alloy	
Product Dimensions	196 (L) x 80 (W) x 24 (H) mm	
Item Weight	255g	
Power supply	DC 5V 1A	
Operating/Storage temperature	0 to 70 degree/-40 to 85 degree	
Operating Humidity	10 to 90% RH	